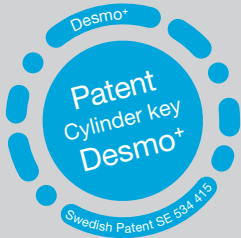


# ASSA ABLOY Desmo+ 10950

ASSA ABLOY  
Opening Solutions

Cam Lock



#### Performance

ASSA ABLOY Desmo+ is a high security cylinder design based on direct driven pins.

ASSA ABLOY Desmo+ 10950 is an 8-pin camlock to be used on doors with 18/22 hole and up to 22 mm thickness.

The ASSA ABLOY Desmo+ 8-pin design allows master keying and the technology creates a high number of differs.

Cylinders are made of nickel plated brass and the keys of nickel silver.

ASSA ABLOY standard catches can be used.

#### Function

The key turns 90° and can only be removed when the catch is in the locked position. Double key entry is available on request.

Right hand turning as standard and left hand available on request.

HIGH  
SECURITY

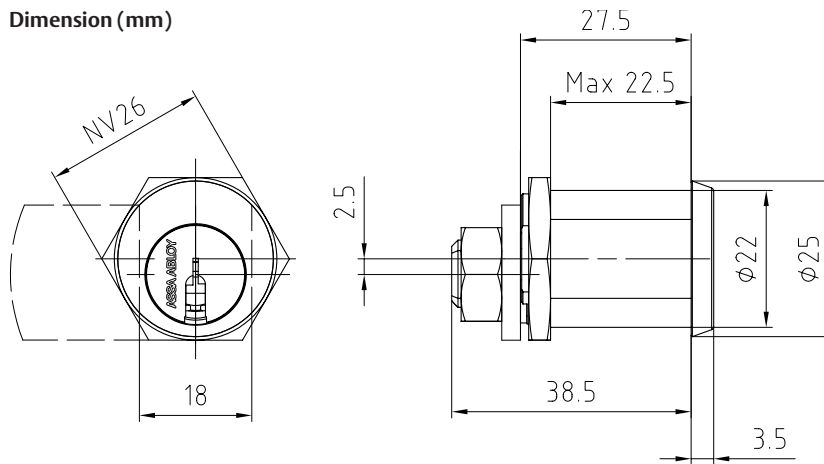
# ASSA ABLOY

## Desmo<sup>+</sup> 10950

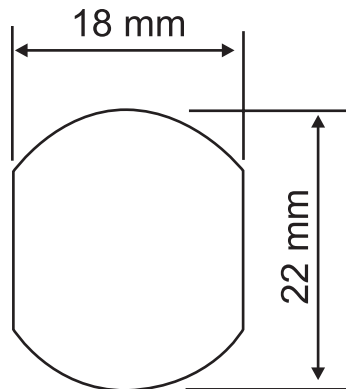
ASSA ABLOY  
Opening Solutions

### Cam Lock

#### Dimension (mm)



#### Hole preparation



Included in part number: 395178

Part	Part no.	Material	Finish	Notes
Large nut	490610	Steel	Zinc plated	<b>Catch Preparation:</b> • Locking up or down = horizontal hole in catch • Locking right or left = vertical hole in catch Cylinder house: Nickel plated brass Cylinder: Brass Accessories see data sheet "Accessories" Catches see data sheet "Catches" Spare parts see data sheet "Spare Parts"
Small nut	490583	Steel	Zinc plated	
Stop washer	492291	Brass	Nickel plated	
Locking washer	490246	Steel	Zinc plated	
<b>Keys</b>				
Keys together with lock 492366				
Extra keys 492373				

ASSA ABLOY Opening Solutions Sweden  
P.O. Box 371  
SE-631 05 Eskilstuna  
Sweden

Phone +46 (0)16 17 70 00  
Fax +46 (0)16 17 70 49

Customer support:  
Phone intl. +46 (0)16 17 71 00  
Phone nat. 0771-640 640  
Fax +46 (0)16 17 73 72  
e-mail: helpdesk.se.openingsolutions@assaabloy.com  
www.assaabloyopeningsolutions.se