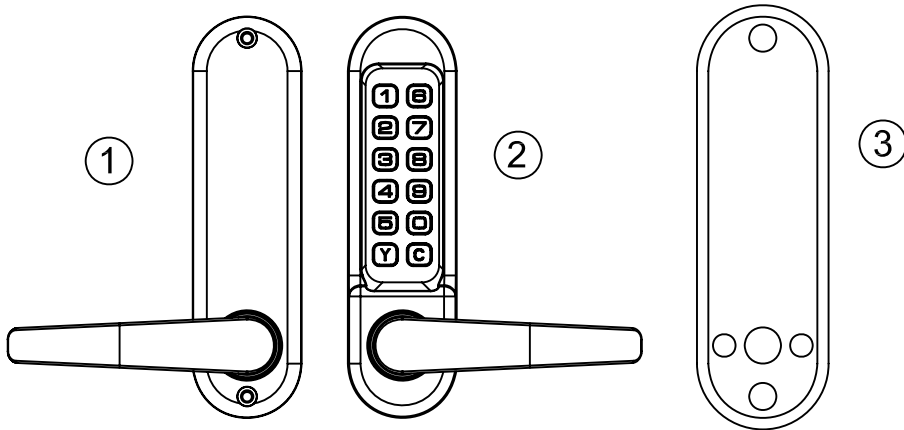


EASY CODE DIGITAL LOCK

MORTISE LOCK LEVER AND CYLINDER MODEL



1. Back plate

2. Lock case

3. Neoprene seals x 2

4. 2 spindles-7mm & 8mm square

5. Spindle collar x 1

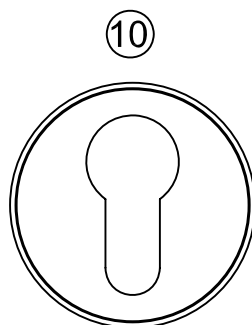
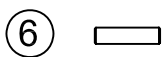
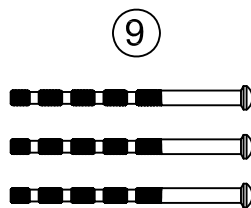
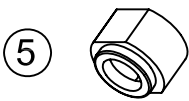
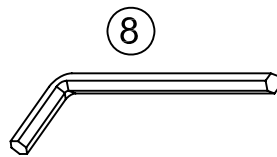
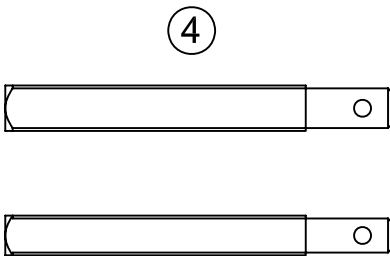
6. Lock pin x 1

7. Long hexagonal shaft x 1

8. Allen key x 1

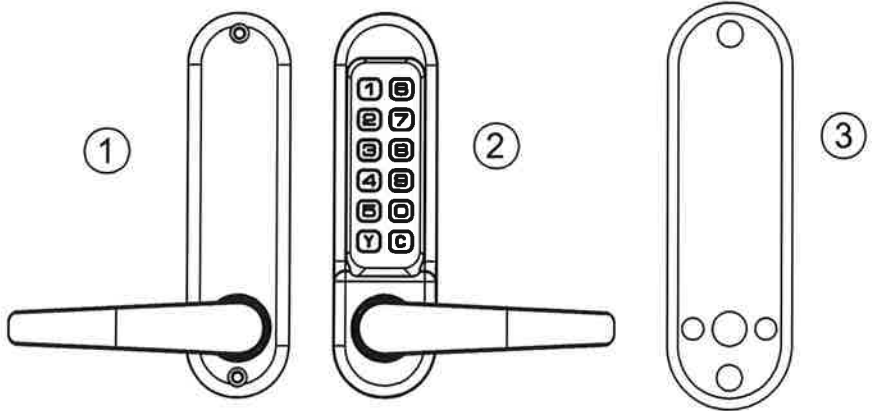
9. Fixing bolt x 3 (1 spare)

10. Escutcheon x 2 within 4 screws



EASY CODE DIGITAL LOCK

MORTISE LOCK LEVER AND CYLINDER MODEL/TUBULAR LATCH MODEL

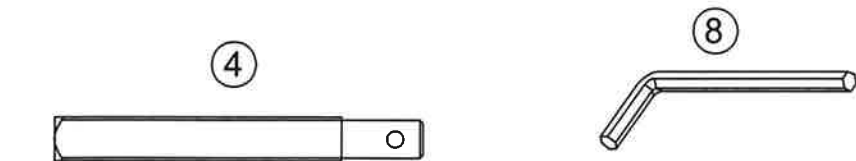


1. Back plate

2. Lock case

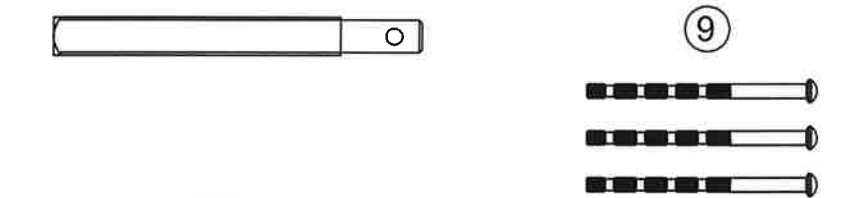
3. Neoprene seals x 2

4. 2 spindles-7mm & 8mm square



5. Spindle collar x 1

6. Lock pin x 1



7. Long hexagonal shaft x 1

8. Allen key x 1

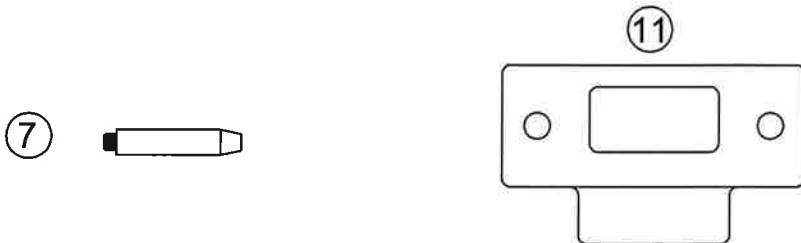


9. Fixing bolt x 3 (1 spare)



10. Tubular latch

11. Striker Plate



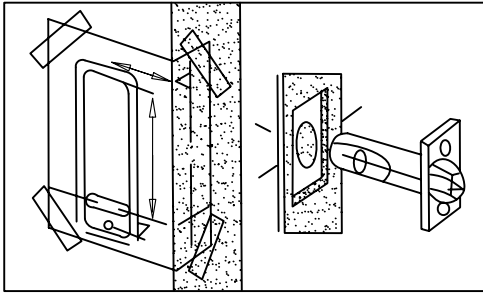
INSTALLATION

1. ESTABLISH THE "HAND" OF THE DOOR.

Viewing from OUTSIDE it is right hand if the hinges are fitted on the right and its is left hand if the hinges are fitted on the left-hand side of the door. This is regardless of whether the door swings inward or outward.

2. FITTING TO THE LATCH

APPLY THE TEMPLATE



Tape the template to the door. Make sure that you fold it along the appropriate line, depending on the backset of the latch (60mm Or 70mm).
Mark and drill 2X8mm 2X11mm 1X16mm holes.

POSITIONING AND FIXING THE LATCH

Mark a central point on the 'centre line of latch' on the door edge.

Drill a 28mm hole x 88mm deep.

Insert the latch into the hole, and draw around the face plate.

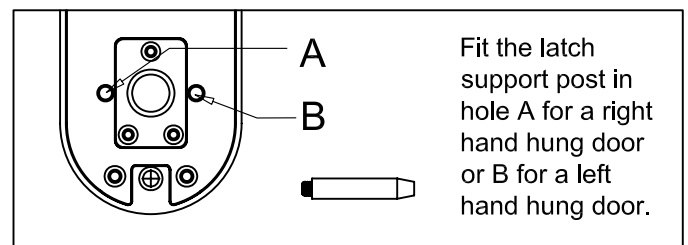
Remove the latch and cut a 3mm rebate so that the face plate will fit flush with the door.

Secure the latch with the wood screws.

Positioning the Spindle

*Select the spindle to suit the thickness of the door.

*Insert the spindle through the slot in the door and make sure that it engages the latch correctly for the hand of the door (see inset diagram).

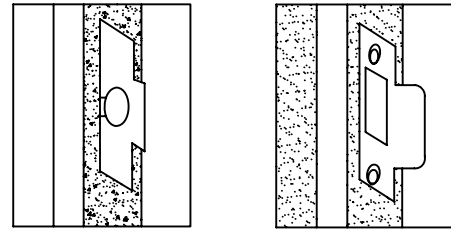


3. FITTING TO MORTISE LOCK

When fitting to a mortise lock, place the mortise lock into position on the door. According to the manufacture's instruction on how to fix the mortise lock. Slide the spindle through the lock follower for alignment and then mark the position of the 2 fixing holes. Drill 2 x 10mm holes.

Take extra care when drilling the lower fixing hole because this will correspond.

Fitting the Striker Plate



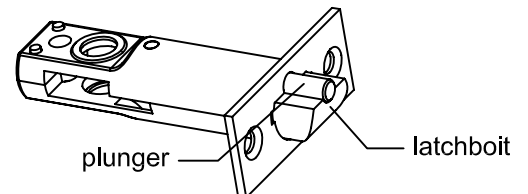
*Position the striker plate on the door so that it lines up with the flat of the latchbolt,

NOT THE PLUNGER.

*Mark the inner and outer edges of the striker plate and cut a 1mm rebate so that it fits flush with the surface of the door frame.

*Drill or cut a recess for the latchbolt.

*Fit the striker plate using only one wood screw as first to ensure that it is positioned accurately. The latch bolt, and not the plunger, should enter the aperture easily, and be held without too much play. When satisfied secure the striker plate with the second screw.



N.B. The plunger beside the latchbolt deadlocks the latchbolt and protects it against manipulation. IT MUST NOT enter the strike plate aperture when the door is closed.

4. SETTING/CHANGING THE ENTRY CODE

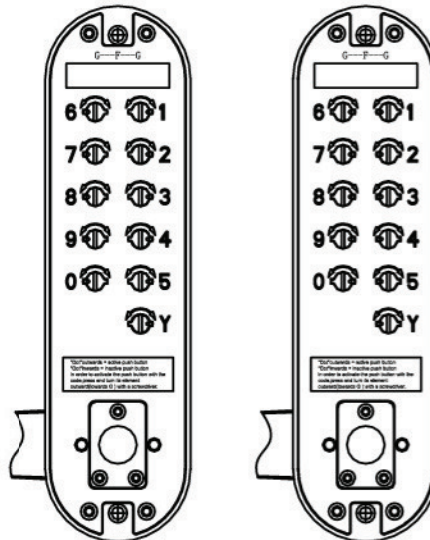
On the reverse of the digital lock you will see screw buttons which relate to the push buttons on the front of the lock. The lock is supplied without any code settings.

To set the code. Pick the button that you want to activate and turn the screw button with a slotted screw driver so that the dot on the screw button faces the edge of the digital lock (position G) If you wish to take the button screw out of the code turn the screw button so that the dot faces the centre of the digital lock (position F) Check the code on the lock to ensure that the code works before re-fitting the lock and closing the door.

User must press "C" button before entering the set code

All code on

All code off



5. FIXING THE DIGITAL LOCK

Hold the lock case and back plate with the seals onto the door with the spindle in position.

Cut the fixing bolts to suit the door thickness ensuring that you allow at least one threaded section to screw into the digital lock case.

Using the fixing bolts screw the two parts of the digital locks together through the top and bottom holes of the back plate. Make sure the seals are fitted.

Before the final tightening make sure the lock is vertical and test that the mechanism is all working correctly.

DO NOT CLOSE THE DOOR UNTIL YOU ARE SURE THAT THE CODE WORKS.

DO NOT over tighten the fixing bolts as this may cause distortion and lead to poor operation.

FREE ACCESS FEATURE (OPTIONAL)

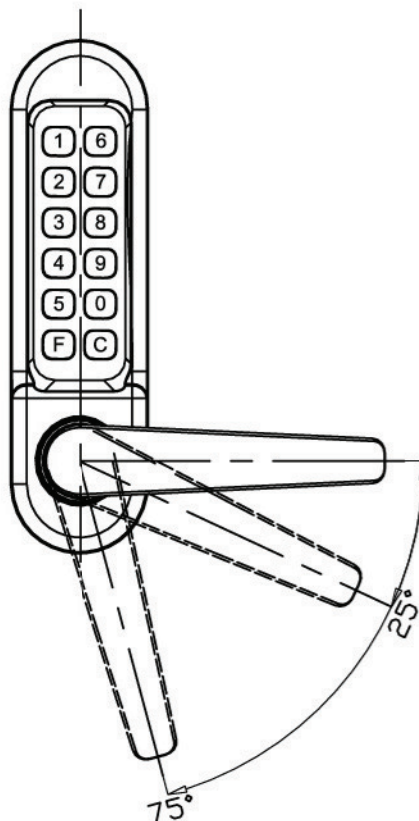
When you choose the Free entry mode, the outside lever will retract the latchbolt without using a code.

To activate the free access feature, follow the procedure:

- A) enter the correct code
- B) press the handle down to 25-75°
- C) at the same time to press the "F" button
- D) turn the handle to horizontal position
- E) release "F" button

To de-activate the free access feature

- A) press the "C" button
- B) at the same time to press the handle down to 25-75°
- C) turn the handle to horizontal position
- D) release "C" button



6. FIXING THE HAND OF THE LOCK

With the hexagonal key provided, loosen the grub screw at the side of the handle and turn to the hand you want. Tightened the grub screw.

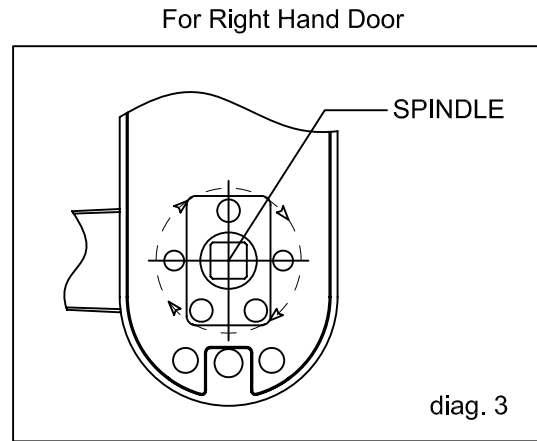
CHANGING THE HAND OF THE LOCK

RIGHT HAND DOOR (diag. 3)

The lock is pre-set for Right hand door

With the back of the outside door mechanism facing you

- a) Turn the spindle clockwise fully.
- b) Slide the spindle through the follower of the lock case.

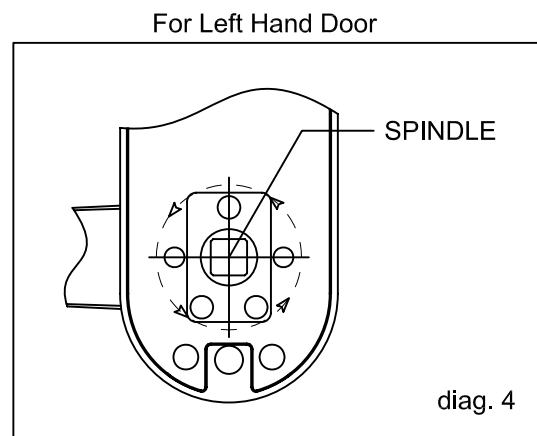


LEFT HAND DOOR

OUTSIDE LOCK MECHANISM (diag.4)

With the back of the outside door mechanism facing you

- a) Turn the spindle counter clockwise fully. (diag. 4)
- b) Slide the spindle through the follower of the lock case.



“IF REMOVING THE GRUB SCREW FOR ADJUSTMENT OR TO REVERSE THE HAND PLEASE ENSURE IT IS REPLACED AND TIGHTENED UP FULLY”

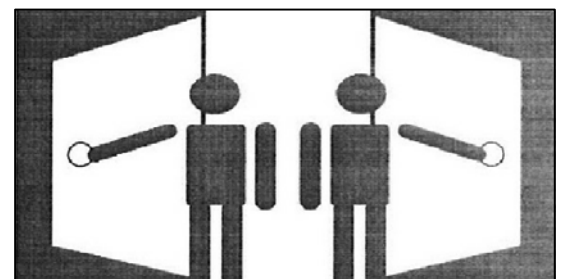
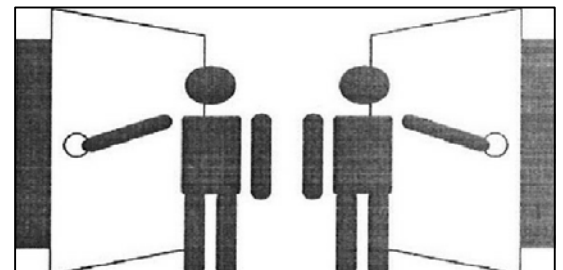
7. HANDING

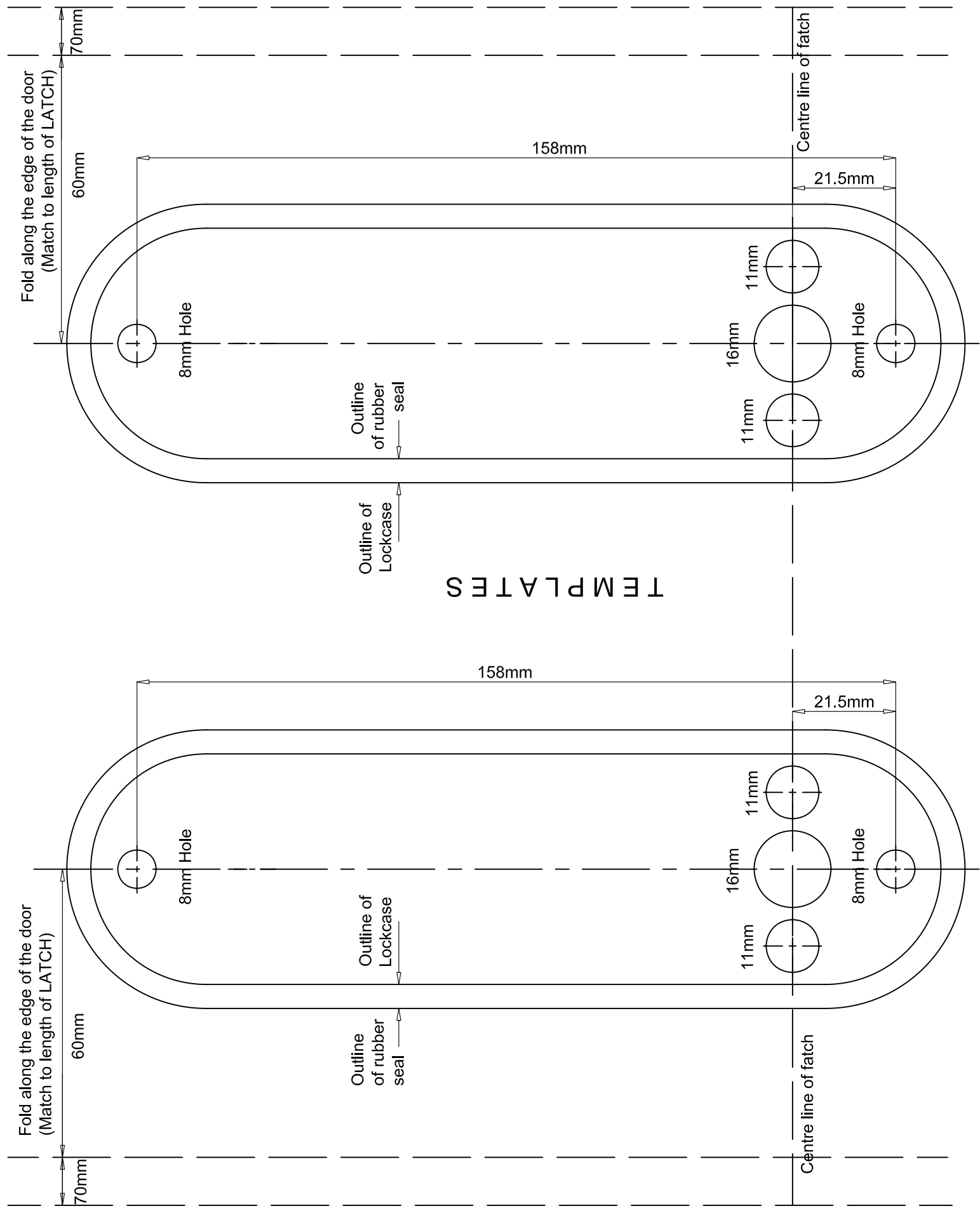
Rules

1. The hand of a door is always determined from the outside.
2. The outside of an exterior door is the street or entrance side.
3. The outside of an auditorium door is the corridor or hall side.
4. The outside of a room door is the corridor or hall side.
5. The outside of a closet door is the room, corridor or hall side.
6. The outside of a single communicating door is the side from which the butts are invisible when door is closed.
7. The outside of twin communication doors is the space between the two doors.

HANDING CHART

(Always take hand from outside)





TEMPLATES